



Rubber-metal element Type GMF-1, GMF-2

Machine feet with male or female thread



Type GMF-1



Type GMF-2

Structure type GMF-1 / GMF-2

- Type GMF-1 with female thread
- Type GMF-2 with threaded bolt (male thread), adjustable in height for exact levelling

Metal parts

- Material: 1.0038 (S235JR) / 8.8
- Corrosion protection: oiled or electrogalvanized

Rubber element

- Conical rubber element with vulcanized metal casing (bell-shape)
- Nut (female thread) or threaded bolt (male thread) attached to the metal casing

Rubber grade	Rubber hardness	Possible uses
NBR	hard – 70 Shore A medium – 60 Shore A soft – 45 Shore A	Water, gas, fuel oil, mineral oil

Dimensions/stress type GMF-1

Form	ø D	A	K	ø L	H	G	Rubber hardness Shore A	Vertical Spring excursion max. mm	stress Load F_{tol}^* N	Art. No.	Pck. qty.
A	57.0	128	110	9.0	30	M 10	70	5	4400	51891400-00	8
A	57.0	128	110	9.0	30	M 10	60	5	3100	51891500-00	8
A	57.0	128	110	9.0	30	M 10	45	5	2200	51891600-00	8
A	88.5	170	140	13.0	39	M 12	70	5	7100	51890500-00	8
A	88.5	170	140	13.0	39	M 12	60	5	4600	51890800-00	8
A	88.5	170	140	13.0	39	M 12	45	5	2500	51891100-00	8
B	110.0	168	132	12.5	52	M 16	70	5	16000	51890600-00	4
B	110.0	168	132	12.5	52	M 16	60	5	11000	51890900-00	4
B	110.0	168	132	12.5	52	M 16	45	5	7000	51891200-00	4
B	125.0	184	150	13.0	63	M 20	70	4	24000	51890700-00	4
B	125.0	184	150	13.0	63	M 20	60	5	21000	51891000-00	4
B	125.0	184	150	13.0	63	M 20	45	5	12500	51891300-00	4

Dimensions/stress type GMF-2

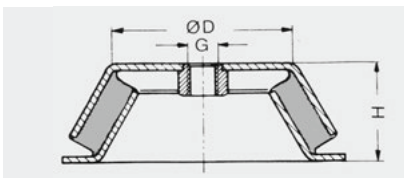
Form	A	K	ø L	R	S	F	Rubber hardness Shore A	Vertical Spring excursion max. mm	stress Load F_{tol}^* N	Art. No.	Pck. qty.
A	170	140	13.0	106	65	M 16 x 1.5	70	4.5	10000	51892000-00	8
A	170	140	13.0	106	65	M 16 x 1.5	60	5	7500	51892400-00	8
A	170	140	13.0	106	65	M 16 x 1.5	45	5	4500	51892700-00	8
B	168	132	12.5	135	80	M 20 x 2.0	70	5	17500	51892100-00	4
B	168	132	12.5	135	80	M 20 x 2.0	60	5	12000	51892500-00	4
B	168	132	12.5	135	80	M 20 x 2.0	45	5	7000	51892800-00	4

* F_{tol} is the tolerable static permanent load: a dynamic alternating load can be superimposed. The stated tolerable loads are only approximate indications for the static load. Delivery only possible in the stated packaging quantities (far-right column).

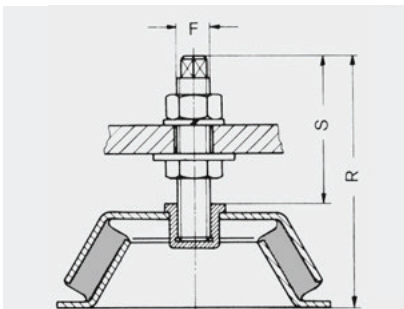
Applications

- universal element for elastic bearing of machines of all kinds
- ideal for preventing horizontal movement of machine tools
- good, soft vertical elasticity with great horizontal stiffness
- for compressive stress
- for damping sound and vibration

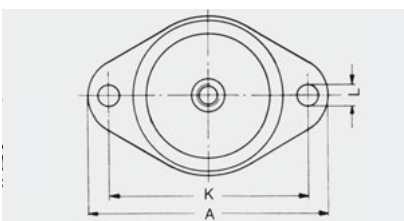
Versions



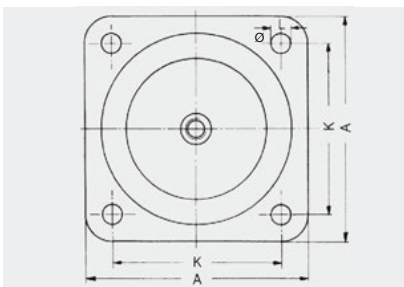
Type GMF-1 With female thread



Type GMF-2 With male thread



Form A



Form B

Note

Please comply with general technical instructions. Subject to technical alterations and deviations resulting from the manufacturing process.